

JASPER

Slipfitter for 2 - 3/8" OD Pole Top or Tenon

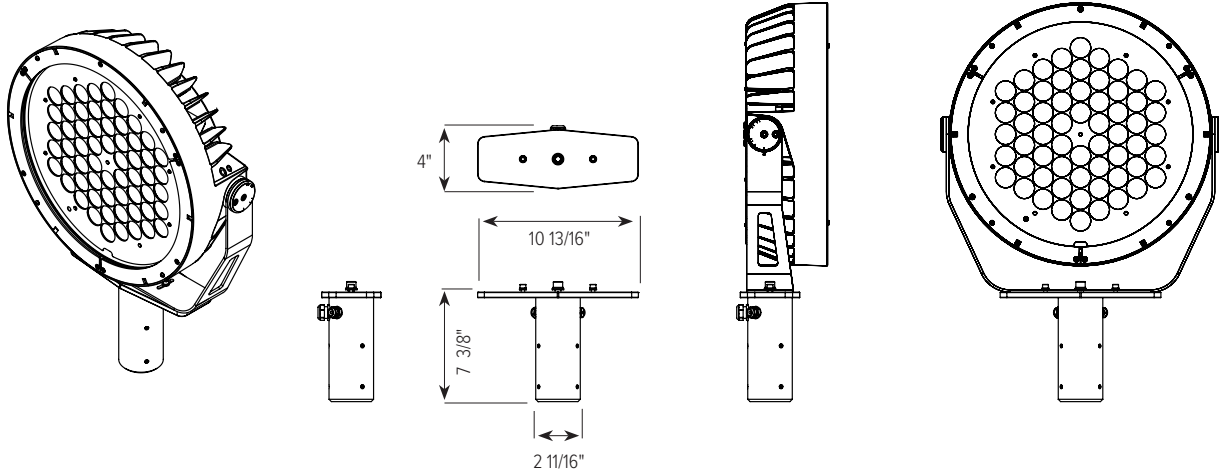


DESCRIPTION

Slipfitter mounting accessory for installation of Jasper luminaire onto 2 - 3/8" O.D. pole tops, tenons, or pipe.

FEATURES

- Fabricated Aluminum Slipfitter
- Stainless Steel Hardware



Date: _____ Type: _____ Catalog Number: _____

Project Name: _____

ORDERING INFORMATION

LUMINAIRE			
MODEL	SIZE	LUMINAIRE SERIES	FINISH
SF Slipfitter	2 - 3/8" For 2 - 3/8" OD pole top, tenon, or pipe	JASPER Jasper	SG Griven Silver Grey
			CC Custom Color
			SGM Griven Silver Grey Marine Grade
			CCMG Custom RAL Color Marine Grade